

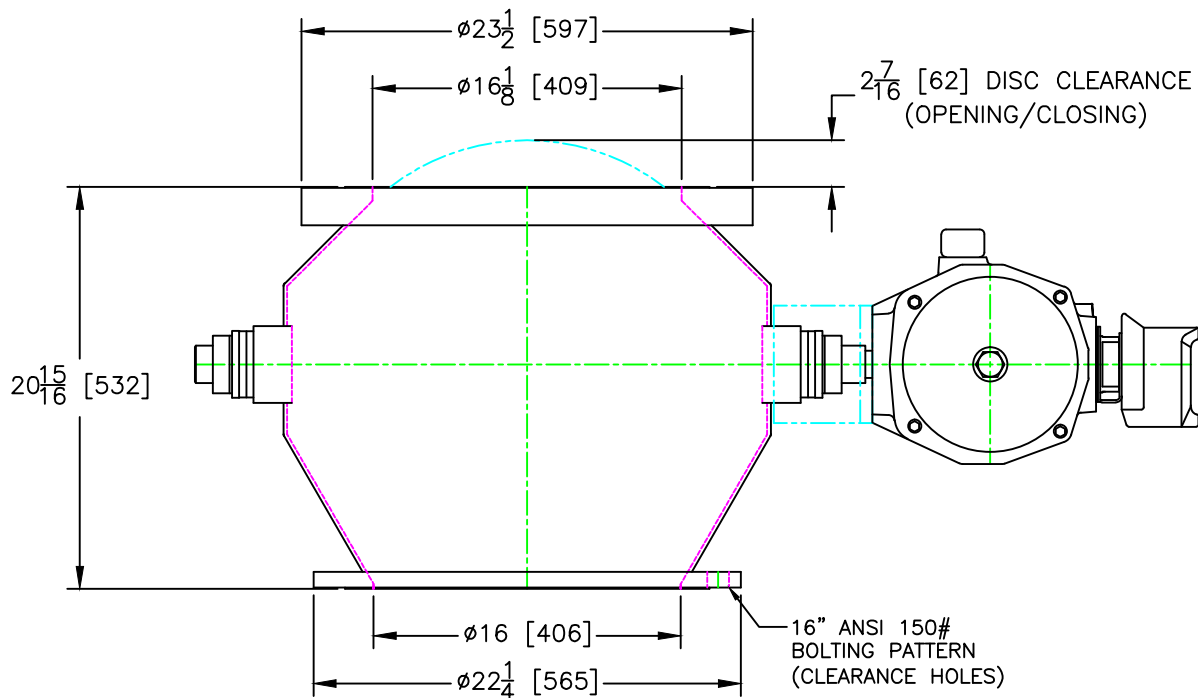
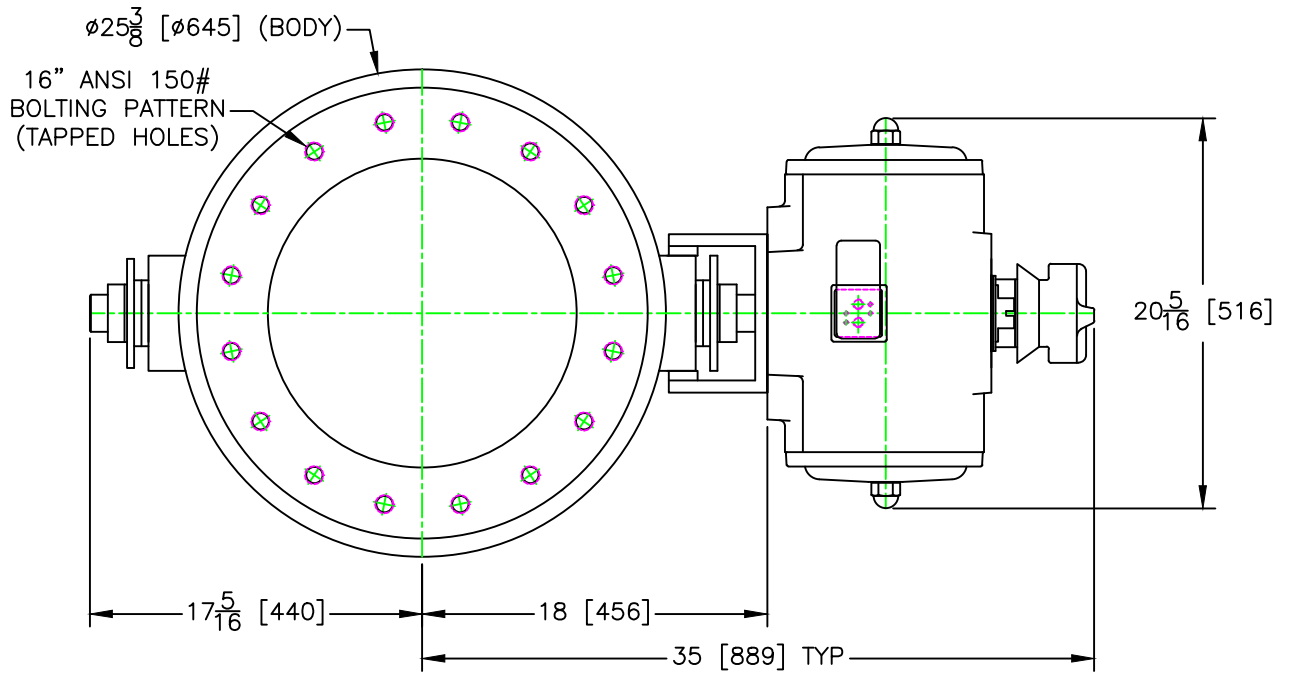
GEMCO VALVE

16" 'P21' Valve

January 2014

Size: A

Scale 1:10



APPROXIMATE WEIGHT: 820 lbs / 370 kg