

SPECIAL-BALL-VALVE **TYPE DG**

CAVITY FREE 2-WAY BALL-VALVE

- > Cavity free
- > Full bore
- > Spring loaded sealing system
- > Blowout proof stem

Size 1/2" to 4"
Pressure to 150 lbs/sq.in.
Temperature -50°C to +180°C



Results.
No experiments.

CAVITY FREE 2-WAY BALL-VALVE



Applicable to:

Gaseous media, fluid, emulsion, syrup, paste, granulate, powder etc.

Operating conditions:

max. 180°C, max. 16 bar
Suitable for vacuum service.
Exceeding parameters on request.

Design:

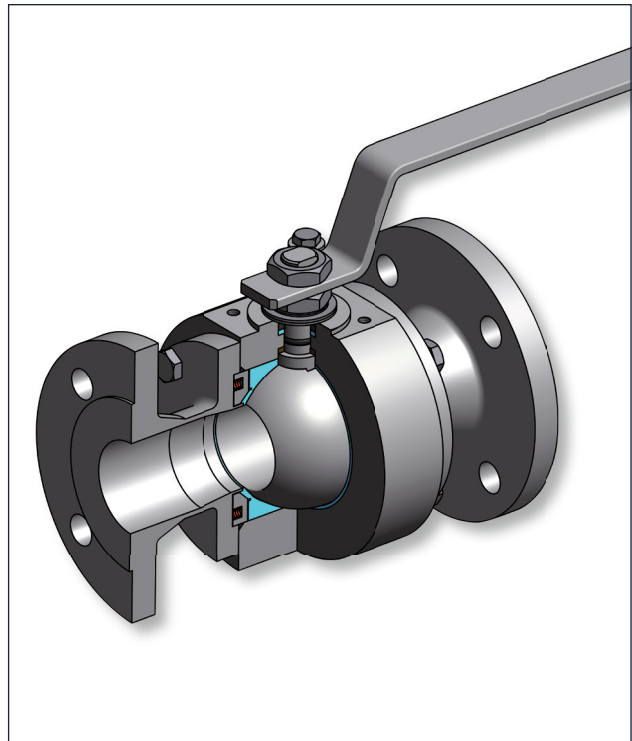
Cavity free
Specific spring-loaded sealing system
Sealing pressure adjustable by means of spiral coil springs.
Blowout proof stem.

Standard Material:

AISI 316 L, AISI 316 Ti; Hastelloy C22, Hastelloy C4, Duplex, Titan etc.
Ball seal: PTFE / 25% glass with FDA conformity.
O-Ring: Viton, EPDM, FEP and Kalrez with FDA conformities.
Springs: AISI 316 Ti
Further material available on request.

Optional:

TA-Luft
Sizes up to 10"
Temperature up to +500°C
Pressure up to 1500 lbs./sq.in.



Metallic sealing system
Stem extension

Connections:

Flange acc. to EN 1092-1 or ANSI (ASA) B16.5
Thread acc. to DIN11851
Clamp acc. to DIN 32676
Weld end acc. to DIN 11850
Further connections according on customer request.

Certificates:

TA-Luft
FDA-Conformity
BSE / TSE free
PMI
ATEX/94/9/EC

Tightness test:

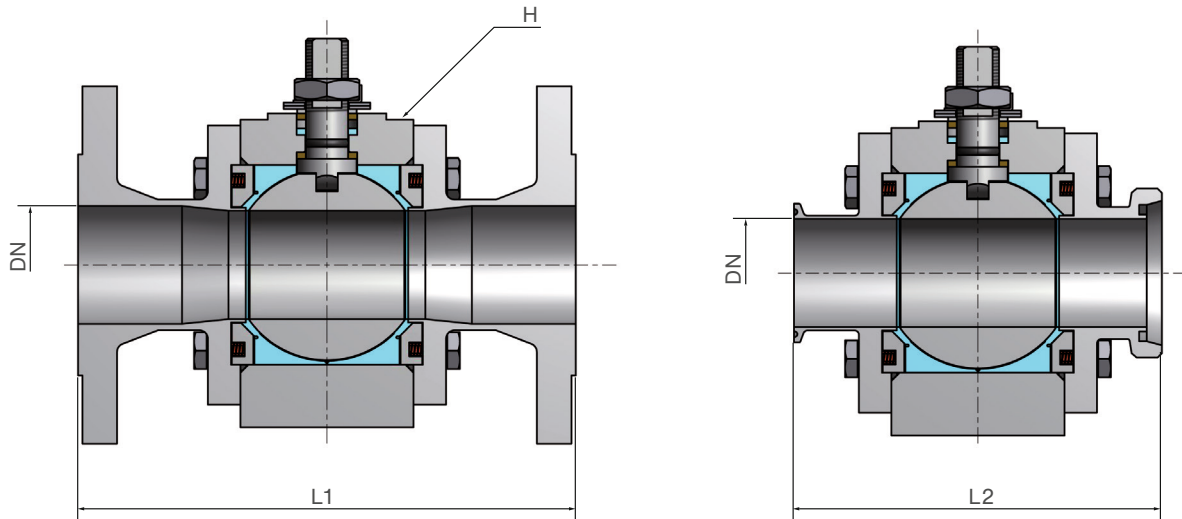
API598

Actuator mounting flange:

Acc. to DIN3337 / ISO 5211



ATEC face to face dimensions

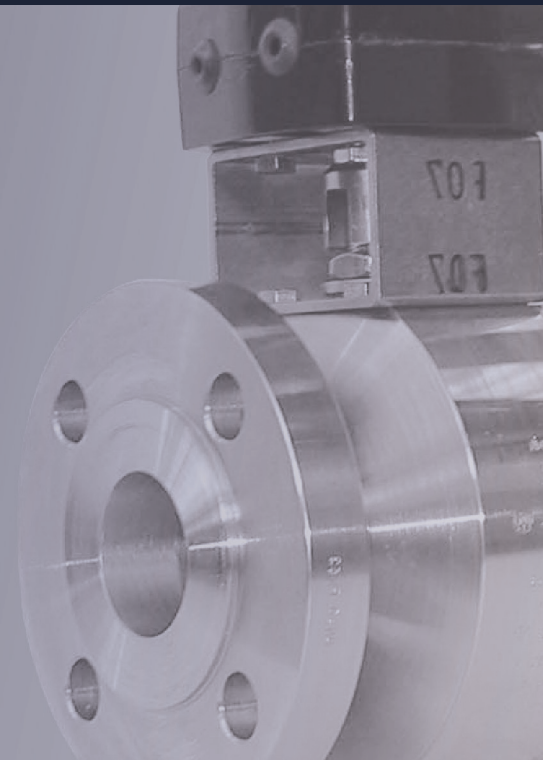


DN	L1	L2	H
1/2"	130	100	F04
1"	160	120	F04
1 1/2"	200	160	F05
2"	230	170	F05
2 1/2"	290	200	F07
3"	310	230	F07
4"	350	270	F10

Further sizes available on request.

ADVANTAGES

- ▶ Almost no cavity between ball and housing
- ▶ Almost no residual product in the ball valve housing
- ▶ Approximately same torque at different temperatures
- ▶ Longer life time through spring loaded sealing system
- ▶ Exotic materials
- ▶ Special design sizes
- ▶ Short delivery time of customized ball valves and spare parts



Results.
No experiments.

ATEC Armaturenbau und -Technik GmbH

Am Lieserhof 22-26, D-55268 Nieder-Olm, Fon +49 (0) 6136 766 47-0 Fax +49

(0) 6136 766 47-99, info@atec-armaturen.de

atec-valve.com