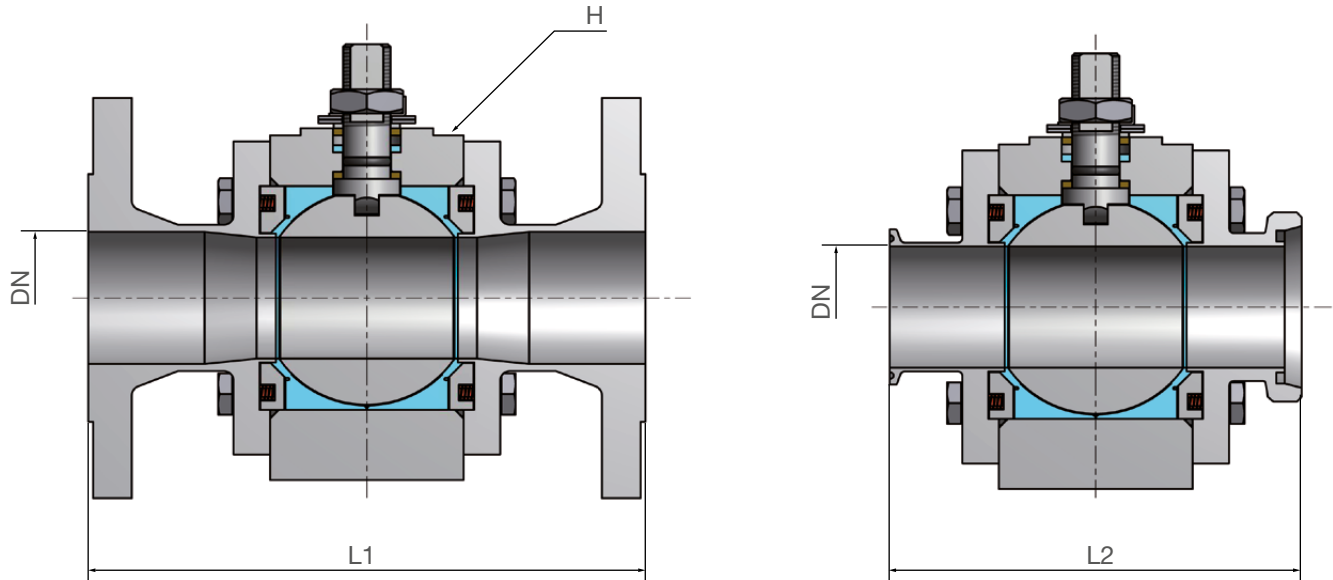


**ATEC face to face dimensions**



DN	L1	L2	H
1/2"	130	100	F04
1"	160	120	F04
1 1/2"	200	160	F05
2"	230	170	F05
2 1/2"	290	200	F07
3"	310	230	F07
4"	350	270	F10

Further sizes available on request.