

SPECIAL-BALL-VALVE **TYPE BL**

CAVITY FREE BOTTOM OUTLET BALL VALVE

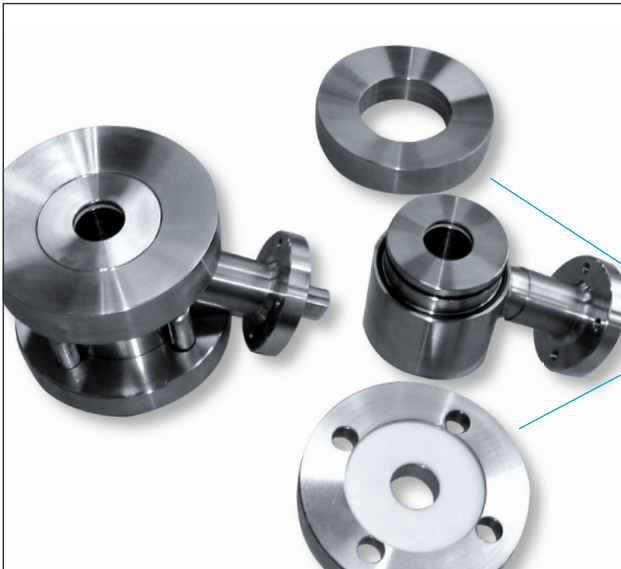
- > Special individual manufacturing
- > Exotic materials
- > Short lead times

Size range 1/2" to 4"
Pressure max. 300 lb / sq.in.
Temperature range -50 °C to +500 °C



Results.
No experiments.

SPECIAL INDIVIDUAL MANUFACTURING MADE BY ATEC



1. Bottom outlet ball valve Type BL

Consisting of:

- > Vessel pad flange
- > Bottom outlet ball valve
- > Combination mounting flange

With help of the combination mounting flange you can assemble the bottom outlet ball valve to the vessel pad flange. Further more you can use the combination mounting flange as forwarding flange for the pipe.



2. Bottom outlet ball valve Type Sampling

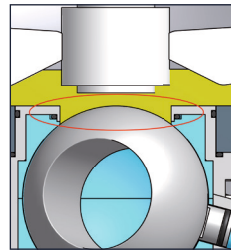
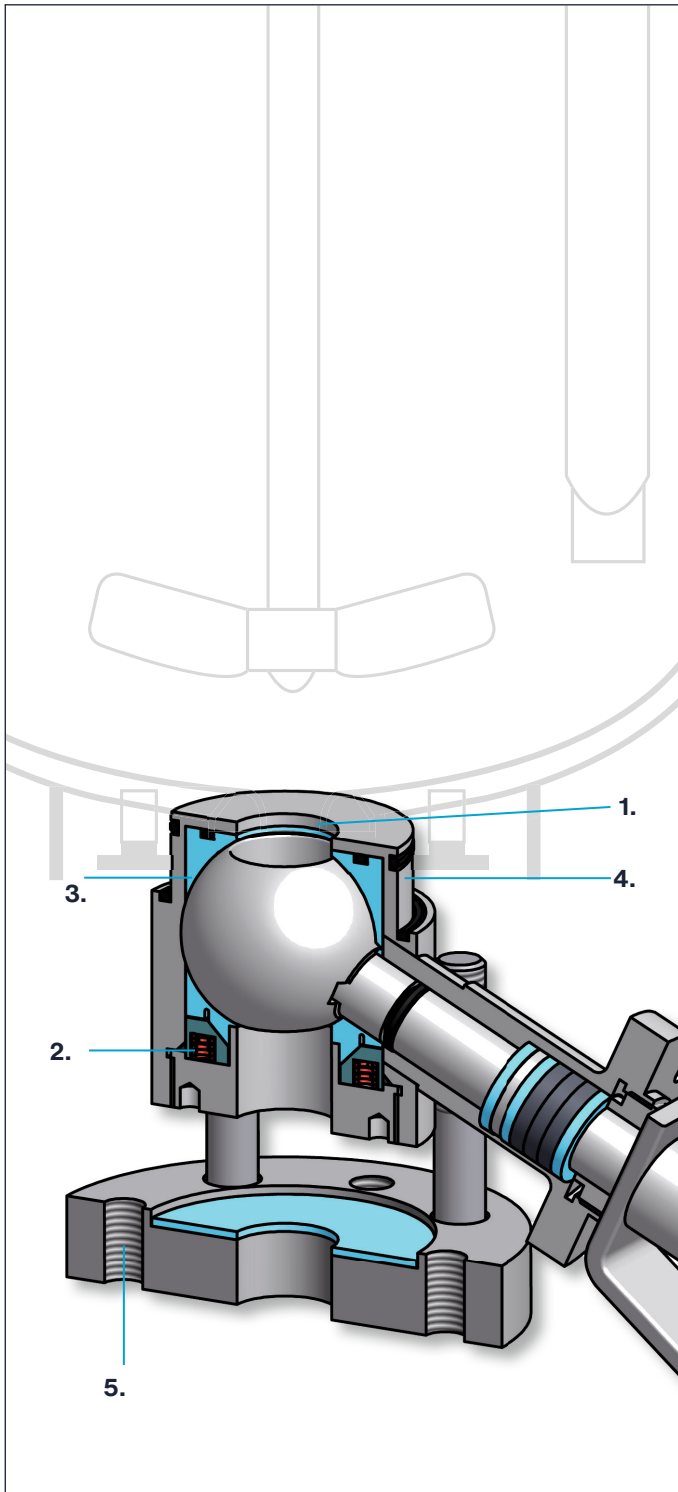
- > Sampling ball
- > Heating jacket
- > Flush connection through combination mounting flange
- > Extended neck and stem



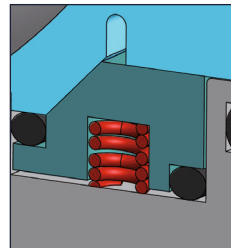
3. Bottom outlet ball valve Type Thread

- > Angular stem for easy and space saving assemble of pneumatic actuator
- > Bottom outlet as thread acc. to ASME

TOTRAUMFREIER BODENABLASS-KUGELHAHN SUMPFARM

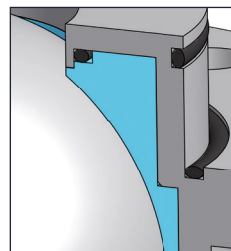


1. Low sump area
seamless connection to vessel inner wall.



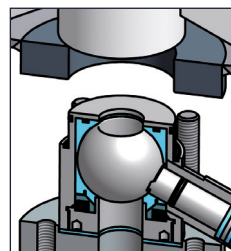
2. Spring loaded sealing system
Guarantees almost same torque at different temperatures.

Longer life time through spring loaded sealing system.



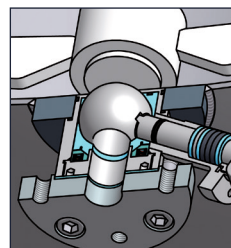
3. Cavity free
Almost no residual product in the ball valve housing.

Almost no crystallization, polymerization and agglomeration of product.



4. Vessel connection
Pad flange acc. to ASME,
Pad flange bore to be increased to ball valve insert diameter.

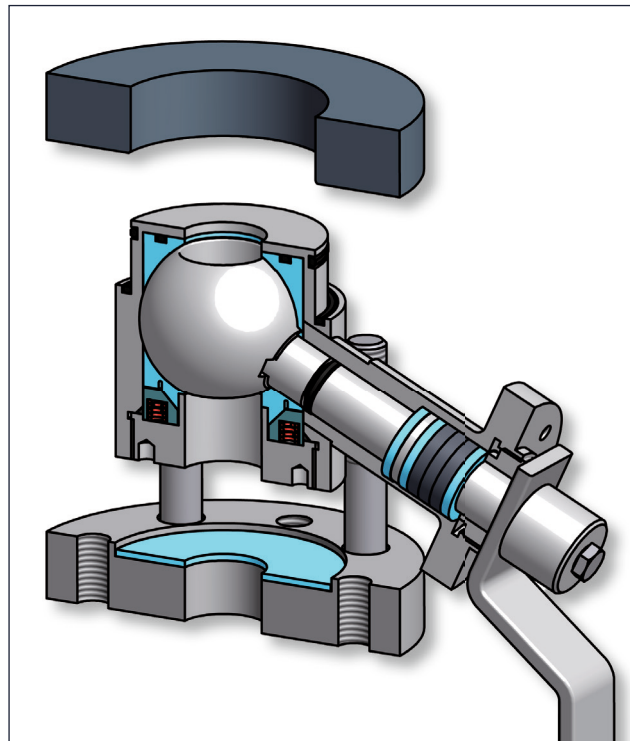
Already welded in pad flange please consult with ATEC.



5. Outlet connection
Combination mounting flange acc. to ASME

Clamp acc. to ASME
Thread acc. to ASME
Weld end acc. to ASME

CAVITY FREE BOTTOM OUTLET BALL VALVE



Applicable to:

Gaseous media, fluid, emulsion, syrup, paste etc.

Operating conditions:

max. 500 °C, max. 300 lb / sq.in., suitable for vacuum service, exceeding parameters on request.

Design:

cavity free, low sump area, angled stem design, adjustable and maintenance free stem sealing, additional specific spring loaded sealing system, sealing pressure adjustable by means of spiral coil springs.

Additional:

Heating jacket, flushing connection, antistatic-design, Fire-Safe design, stem sealing acc. to TA-Luft, sealing material with FDA-Conformity, PTFE adapter for laboratory bottle.

Material:

316 Ti, 316 L

Special material:

alloy 904 L, 318 LN, alloy 22, alloy 59, alloy c-4, titanium, zirconium etc.

Ball sealing:

PTFE, PTFE fiber glass, PTFE carbon, TFM, PEEK, PEEK fiber glass, impregnated activated carbon, metallic sealing system.

O-Ring:

Viton, EPDM, FEP-Viton, FEP-Silicon, Kalrez etc.

Stem sealing:

PTFE, pure graphite and additional o-ring

Springs:

316 Ti, alloy c-4

Connection to vessel:

Pad flange acc. to DIN 28117 / 28142 and ASME, pad flange bore must be increased to insert diameter of ball valve. Pad flange contour can be adapted to vessel shape.

Connection ball valve:

Combination mounting flange
Welding neck flange acc. to ASME B16.5
Clamp acc. to ASME,
Thread acc. to ASME,
Weld end acc. to ASME,
PTFE adapter for laboratory bottle.

Tightness:

acc. to API 598

Actuator mounting flange:

acc. to ISO 5211



ADVANTAGES

- ▶ Almost no cavity between ball and housing
- ▶ Almost no residual product in the ball valve housing
- ▶ Approximately same torque at different temperatures
- ▶ Longer life time through spring loaded sealing system
- ▶ Cavity free ball valve suitable for the use as bottom outlet ball valve in stirrer vessel
- ▶ Special design sizes
- ▶ Short delivery time of customized ball valves and spare parts



Results.
No experiments.

ATEC Armaturenbau und -Technik GmbH

Am Lieserhof 22-26, D-55268 Nieder-Olm, Fon +49 (0) 6136 766 47-0 Fax +49

(0) 6136 766 47-99, info@atec-armaturen.de

atec-valve.com